



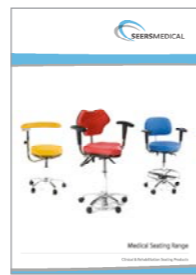
Sterling Couch Range



Therapy Couch Range



Patient Trolley Range



Seating Range



SEERS MEDICAL Ltd
Kenton Road,
Debenham, Suffolk
IP14 6LA, United Kingdom
© Copyright SEERS Medical Ltd 2021

Company Reg. N° 6572698
VAT N° 931596702
Printed in the United Kingdom

Note¹: The illustrated fabric colours may vary slightly from actual fabric supplied. This occurs due to the four colour printing process. However every attempt has been made to make them as accurate as possible. Our Policy of continuous improvement means that we reserve the right to change and modify designs without prior notice. Note²: Measurements may vary +/- 2° or +/- 5mm due to manufacturing tolerances

ISO 13485 ISO 9001 ISO 14001
- 2016 - - 2008 - - 2015 -



Tel +44 (0)1728 861 590
Fax +44 (0)1728 861 868
info@seersmedical.com
www.seersmedical.com

Issue N° 016 v2
Part N° 06Z-8005-SF

CLINNOVA Clinical Range

The New Market-Leading Range of Clinical Couches for Patient Examination and Minor Treatment Procedures

Introduction

In this new brochure we cover a wide range of patient examination furniture for various medical examinations and treatments. The CLINNOVA design was started in 2018 to celebrate the 10th anniversary of SEERS Medical, in an effort to create a brand new range of market-leading treatment tables and examination couches. We listened to experts and professionals who use SEERS products every day to develop additional features and benefits not previously available on UK manufactured treatment couches.

With the management and control of our own assembly line at our premises in Debenham, Suffolk in the UK, our couches comply to the CE medical devices directive 93/42/EEC, ensuring we supply high quality products every time. We trust you will experience this yourself when you purchase a SEERS Medical product.

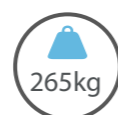
SEERS Medical are accredited with ISO 13485:2016, the Quality Management System for Medical Devices.

Contents

- 4-7 CLINNOVA Clinical 2 Section
- 8-11 CLINNOVA Clinical 3 Section
- 12-15 CLINNOVA Mobile 2 Section
- 16-19 CLINNOVA Mobile 3 Section

Coming Soon

- CLINNOVA Ultra
- CLINNOVA Ultra Pro
- CLINNOVA Gynae
- CLINNOVA Gynae Pro
- CLINNOVA Podiatry
- CLINNOVA Podiatry Pro
- CLINNOVA Phlebotomy
- CLINNOVA Phlebotomy Pro



265kg

Safe working load
265Kg (583lbs)



Mobile hoist clearance
beneath frame



Anti-bacterial
vinyl upholstery



Anti-microbial
powder coated frame



Crib 5 Fire
retardant upholstery



Low Transfer Height

Low patient
transfer height



Complies with EC
Directive 93/42/EEC

Technical Information

At SEERS Medical we are using state of the art design tools, such as 3D solid modelling and in house rapid prototyping, to assist us in getting new designs into development and manufacture. Whilst designing new products, all manufacturing capabilities available are taken into consideration, such as CNC wood cutting, laser profiling and robot welding, which deliver reliable build quality and repeatability of accurate components, time after time. A typical innovative use of these processes is evident in a high loaded components such as the ram bracket, a common item on many SEERS couches, where using laser profiling we have been able to make the parts interlock, adding immense strength, even before welding! This is typical of the attention to detail that we pride ourselves with, and sets us apart from other couch manufacturers, giving us confidence in the reliability and longevity of the products we manufacture.

Mechanical Safety & Load Testing

All SEERS Medical products have been tested to the applicable EN 60601-1:2006+A12:2014 (E) the General requirements for basic safety and essential performance. Our couches have been thoroughly tested with a two and a half times safe working load (in excess of 600Kg loaded evenly, for in excess of one hour, to prove load support capability without failure. Our products are tested in accordance to Clauses 9.8.3.2-3 Static Forces of EN60601-1:2006 Not only do our products have high safe working loads (typically 240Kg), but our products also lift the rated safe working load from the minimum height to the maximum height smoothly.

Electrical Safety

All SEERS Medical products comply to EN 60601-1:2006+A12:2014 (E) the General requirements for basic safety and essential performance. In addition, the actuation and control systems used on our products are marked with the UL mark, demonstrating compliance to UL60601-1 and CAN/CSA-C22.2 No. 601.1-M90, meeting the requirements for USA and Canada. The actuation control system is also marked with approval to C-ETL-US No. 3154358.

CE Marking & Quality System

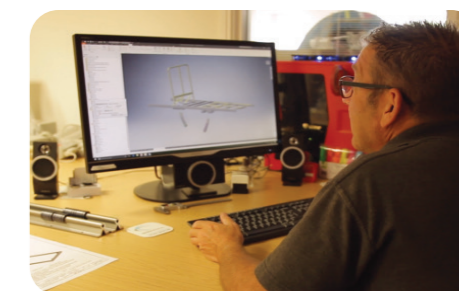
SEERS Medical operates a Quality Management System in accredited and approved to ISO 9001:2008. SEERS Medical products comply with the Essential Requirements in Annex I of EC Directive 93/42/EC, with all relevant design, production records, risk assessments, product testing and labelling information recorded in the documentation file labelled the "Technical File". All products carry a unique serial number for trace-ability of build date, model number and associated build records.

Flammability

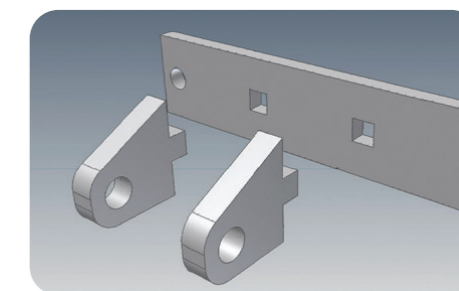
The upholstered couch sections satisfies flammability requirements to the standards of BS 7176:1995 (medium hazard) using ignition sources 0 (cigarette), 1 (gas) as defined in BS EN. 1921-1 and 2 and 5 (crib) BS 5852:1990.

Warranty

The variable height couches detailed in this brochure have a lifetime frame warranty and five years warranty on all other components.



CAD design technology



Interlocking structural components



Laser profiling



CLINNOVA Clinical 2 Section



A very strong and rigid couch available with a wide range of accessories. Suitable for supporting very heavy patients for examination and minor treatment procedures.

Models

See Page 6-7 for available models



Model NV2570-PRM
Colour Canard

Standard Features

- Strong & sturdy design, supporting & lifting patients up to a maximum weight of 265Kg (583lbs)
- Gas assisted or electric backrest adjustable from -20° to +80°
- Anti-trap gas assisted backrest prevents risk of crushing and harm to patient, user or furniture
- Hydraulic pump action or electric height elevation
- Variable height range of 46 to 95cm for individual working heights
- Linked retractable wheels with adjustable foot for uneven floors
- Lock & Go transport mode for easy moving
- Purpose-made precision bearings ensure quiet, reliable operation and increase product life expectancy
- Frame design enables use of mobile hoist
- Electric models include a hand switch as standard
- Laser cut fixing points to easily retrofit approved accessories
- Anti-microbial paint additive on framework prevents growth of bacteria, fungi and viruses
- 70cm wide Easy Clean Upholstery conceals all visible staples
- Choice of 15 standard vinyl colours

Optional Accessories

- 6004** Breathing hole and plug
- 9001** Perimeter foot switch (*NV2560 only*)
- 6200** Single foot switch (*NV2560 only*)
- 6207** Double foot switch (*NV2570 only*)
- 9002** Side support rails (Pair)
- 9002P** Side support rail cushions (Pair)
- 6006** Upper limb support
- 6007** Removable head/knee support
- 6057** Battery back-up facility
- 6054** Telescopic IV pole



Paper Roll Holder
Fitted as Standard



Model NV2550-CLS
Colour Dark Blue

CLINNOVA Clinical 2 Section - Models Available



NV2550-CLS

Hydraulic Height Elevation
Gas Assisted Backrest
Classic Base



NV2560-CLS

Electric Height Elevation
Gas Assisted Backrest
Classic Base



NV2570-CLS

Electric Height Elevation
Electric Backrest
Classic Base



NV2550-PRM

Hydraulic Height Elevation
Gas Assisted Backrest
Premium Base



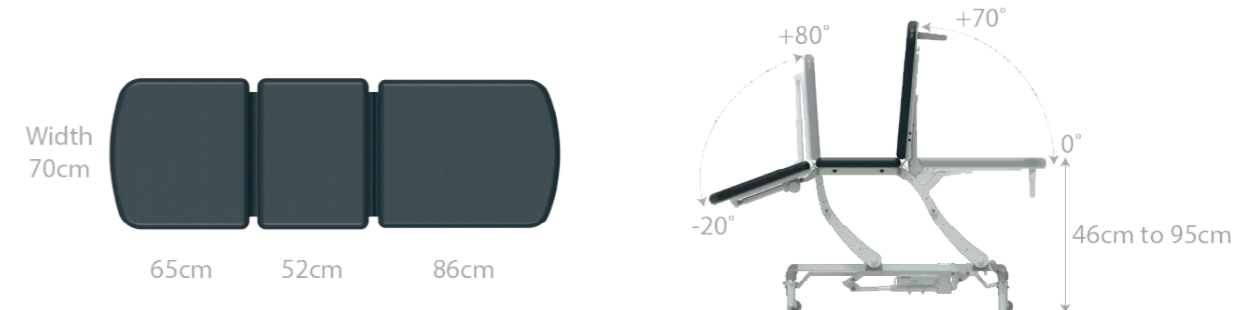
NV2560-PRM

Electric Height Elevation
Gas Assisted Backrest
Premium Base



NV2570-PRM

Electric Height Elevation
Electric Backrest
Premium Base



CLINNOVA Clinical 3 Section



A very strong and rigid couch, with an additional adjustable section which increases versatility. Available with a wide range of accessories, suitable for supporting very heavy patients for examination and minor treatment procedures.

Models

See Page 10-11 for available models



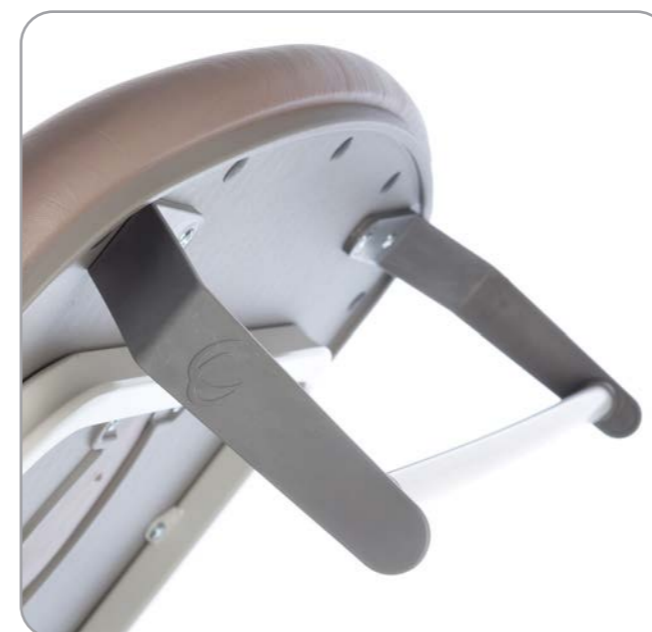
Model NV3570-PRM
Colour Pepper

Standard Features

- Strong & sturdy design, supporting & lifting patients up to a maximum weight of 265Kg (583lbs)
- Gas assisted or electric head section, adjustable from -20° to +80°
- Gas assisted or electric foot section, adjustable from 0° to +70°
- Anti-trap gas assisted sections prevent risk of crushing and harm to patient, user or furniture
- Hydraulic pump action or electric height elevation
- Variable height range of 46 to 95cm for individual working heights
- Linked retractable wheels with adjustable foot for uneven floors
- Lock & Go transport mode for easy moving
- Purpose-made precision bearings ensure quiet, reliable operation and increase product life expectancy
- Frame design enables use of mobile hoist
- Electric models include a hand switch as standard
- Laser cut fixing points to easily retrofit approved accessories
- Anti-microbial paint additive on framework prevents growth of bacteria, fungi and viruses
- 70cm wide Easy Clean Upholstery conceals all visible staples

Optional Accessories

- 6004** Breathing hole and plug
- 9001** Perimeter foot switch (NV3560 only)
- 6200** Single foot switch (NV3560 only)
- 6209** Triple foot switch (NV3570 only)
- 9003** Side support rails (Pair)
- 9003P** Side support rail cushions (Pair)
- 6006** Upper limb support
- 6007** Removable head/knee support
- 6057** Battery back-up facility
- 6054** Telescopic IV pole



Paper Roll Holder
Fitted as Standard



Model NV3550-CLS
Colour Burgundy

CLINNOVA Clinical 3 Section - Models Available



NV3550-CLS

Hydraulic Height Elevation
Gas Assisted Head Section
Gas Assisted Foot Section
Classic Base



NV3560-CLS

Electric Height Elevation
Gas Assisted Head Section
Gas Assisted Foot Section
Classic Base



NV3570-CLS

Electric Height Elevation
Electric Head Section
Electric Foot Section
Classic Base



NV3550-PRM

Hydraulic Height Elevation
Gas Assisted Head Section
Gas Assisted Foot Section
Premium Base



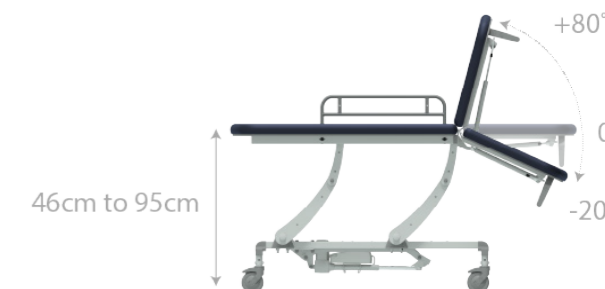
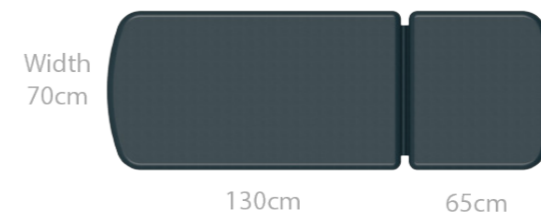
NV3560-PRM

Electric Height Elevation
Gas Assisted Head Section
Gas Assisted Foot Section
Premium Base



NV3570-PRM

Electric Height Elevation
Electric Head Section
Electric Foot Section
Premium Base



CLINNOVA Mobile 2 Section



A very strong and rigid couch, fitted with large castors which make movement much easier. Fitted with a paper roll holder and side support rails as standard. Suitable for heavy patients for examination and minor treatment procedures.

Models

See Page 14-15 for available models



Model NV2670-PRM
Colour Dark Blue

Standard Features

- Strong & sturdy design, supporting & lifting patients up to a maximum weight of 265Kg (583lbs)
- Gas assisted or electric backrest adjustable from -20° to +80°
- Anti-trap gas assisted backrest prevents risk of crushing and harm to patient, user or furniture
- Hydraulic pump action or electric height elevation
- Variable height range of 46 to 95cm for individual working heights
- Choice of 125mm independent or central locking castors
- Purpose-made precision bearings ensure quiet, reliable operation and increase product life expectancy
- Frame design enables use of mobile hoist
- Electric models include a hand switch as standard
- Laser cut fixing points to easily retrofit approved accessories
- Anti-microbial paint additive on framework prevents growth of bacteria, fungi and viruses
- 70cm wide Easy Clean Upholstery conceals all visible staples
- Choice of 15 standard vinyl colours

Optional Accessories

- 6004** Breathing hole and plug
- 6200** Single foot switch (NV2X60 only)
- 6207** Double foot switch (NV2X70 only)
- 9002P** Side support rail cushions (Pair)
- 6006** Upper limb support
- 6007** Removable head/knee support
- 6057** Battery back-up facility
- 6054** Telescopic IV pole



Paper Roll Holder
Fitted as Standard



Model NV2450-CLS
Colour Lotus Green

CLINNOVA Mobile 2 Section - Models Available



NV2450-CLS

Hydraulic Height Elevation
Gas Assisted Backrest
Independently Braking Castors
Classic Base



NV2460-CLS

Electric Height Elevation
Gas Assisted Backrest
Independently Braking Castors
Classic Base



NV2470-CLS

Electric Height Elevation
Electric Backrest
Independently Braking Castors
Classic Base



NV2650-CLS

Hydraulic Height Elevation
Gas Assisted Backrest
Central Locking Castors
Classic Base



NV2660-CLS

Electric Height Elevation
Gas Assisted Backrest
Central Locking Castors
Classic Base



NV2670-CLS

Electric Height Elevation
Electric Backrest
Central Locking Castors
Classic Base



NV2450-PRM

Hydraulic Height Elevation
Gas Assisted Backrest
Independently Braking Castors
Premium Base



NV2460-PRM

Electric Height Elevation
Gas Assisted Backrest
Independently Braking Castors
Premium Base



NV2470-PRM

Electric Height Elevation
Electric Backrest
Independently Braking Castors
Premium Base



NV2650-PRM

Hydraulic Height Elevation
Gas Assisted Backrest
Central Locking Castors
Premium Base



NV2660-PRM

Electric Height Elevation
Gas Assisted Backrest
Central Locking Castors
Premium Base



NV2670-PRM

Electric Height Elevation
Electric Backrest
Central Locking Castors
Premium Base

Width
70cm



65cm 52cm 86cm



CLINNOVA Mobile 3 Section



A very strong and rigid couch, fitted with large castors which make movement much easier. Fitted with a paper roll holder and side support rails as standard. Suitable for heavy patients for examination and minor treatment procedures.

Models

See Page 18-19 for available models



Model NV3670-PRM
Colour Cream

Standard Features

- Strong & sturdy design, supporting & lifting patients up to a maximum weight of 265Kg (583lbs)
- Gas assisted or electric head section, adjustable from -20° to +80°
- Gas assisted or electric foot section, adjustable from 0° to +70°
- Anti-trap gas assisted sections prevent risk of crushing and harm to patient, user or furniture
- Hydraulic pump action or electric height elevation
- Variable height range of 46 to 95cm for individual working heights
- Choice of 125mm independent or central locking castors
- Purpose-made precision bearings ensure quiet, reliable operation and increase product life expectancy
- Frame design enables use of mobile hoist
- Electric models include a hand switch as standard
- Laser cut fixing points to easily retrofit approved accessories
- Anti-microbial paint additive on framework prevents growth of bacteria, fungi and viruses
- 70cm wide Easy Clean Upholstery conceals all visible staples

Optional Accessories

- 6004** Breathing hole and plug
- 6200** Single foot switch (NV3X60 only)
- 6207** Double foot switch (NV3X70 only)
- 9003P** Side support rail cushions (Pair)
- 6006** Upper limb support
- 6007** Removable head/knee support
- 6057** Battery back-up facility
- 6054** Telescopic IV pole



Paper Roll Holder
Fitted as Standard



Model NV3450-CLS
Colour Sky Blue

CLINNOVA Mobile 3 Section - Models Available



NV3450-CLS

Hydraulic Height Elevation
Gas Assisted Head Section
Gas Assisted Foot Section
Independently Braking Castors
Classic Base



NV3460-CLS

Electric Height Elevation
Gas Assisted Head Section
Gas Assisted Foot Section
Independently Braking Castors
Classic Base



NV3470-CLS

Electric Height Elevation
Electric Head Section
Electric Foot Section
Independently Braking Castors
Classic Base



NV3650-CLS

Hydraulic Height Elevation
Gas Assisted Head Section
Gas Assisted Foot Section
Central Locking Castors
Classic Base



NV3660-CLS

Electric Height Elevation
Gas Assisted Head Section
Gas Assisted Foot Section
Central Locking Castors
Classic Base



NV3670-CLS

Electric Height Elevation
Electric Head Section
Electric Foot Section
Central Locking Castors
Classic Base



NV3450-PRM

Hydraulic Height Elevation
Gas Assisted Head Section
Gas Assisted Foot Section
Independently Braking Castors
Premium Base



NV3460-PRM

Electric Height Elevation
Gas Assisted Head Section
Gas Assisted Foot Section
Independently Braking Castors
Premium Base



NV3470-PRM

Electric Height Elevation
Electric Head Section
Electric Foot Section
Independently Braking Castors
Premium Base



NV3650-PRM

Hydraulic Height Elevation
Gas Assisted Head Section
Gas Assisted Foot Section
Central Locking Castors
Premium Base



NV3660-PRM

Electric Height Elevation
Gas Assisted Head Section
Gas Assisted Foot Section
Central Locking Castors
Premium Base



NV3670-PRM

Electric Height Elevation
Electric Head Section
Electric Foot Section
Central Locking Castors
Premium Base



CLINNOVA Ultra 1



The Ultra 1 is the entry-level option to the CLINNOVA Ultra Range. Supplied with a choice of wheel systems, hydraulic or electric height adjustment and classic or premium base, the Ultra 1 can be tailored for a range of specification and budget-driven requirements.

Models

See Page 22-23 for available models



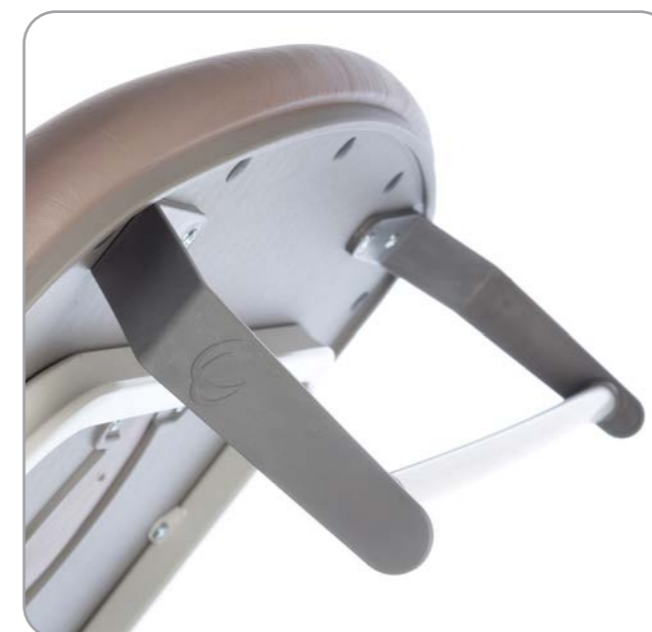
Model NV9566-PRM
Colour Poterie

Standard Features

- Strong & sturdy design, supporting & lifting patients up to a maximum weight of 265Kg (583lbs)
- Gas assisted drop end foot section, adjustable from 0° to -84°
- Gas assisted backrest section, adjustable from 0° to +90°
- Anti-trap gas assisted sections prevent risk of crushing and harm to patient, user or furniture
- Hydraulic pump action or electric height elevation
- Variable height range or individual working heights
- Choice of independent, retractable or central locking castors
- Purpose-made precision bearings ensure quiet, reliable operation and increase product life expectancy
- Frame design enables use of mobile hoist
- Electric models include a hand switch as standard
- Laser cut fixing points to easily retrofit approved accessories
- Anti-microbial paint additive on framework prevents growth of bacteria, fungi and viruses
- 70cm wide Easy Clean Upholstery ideal for infection prevention
- Choice of 15 standard vinyl colours

Optional Accessories

- 6200** Single foot switch (electric only)
- 6044** Lithotomy Stirrups
- 6045** Gynaecology Leg Supports
- 6006** Upper limb support
- 6007** Removable head/knee support
- 6057** Battery back-up facility
- 6054** Telescopic IV pole



Paper Roll Holder
Fitted as Standard



Model NV9456-CLS
Colour Dark Blue

CLINNOVA Ultra 1 - Models Available



NV9456-CLS

Hydraulic Height Elevation
Gas Assisted Backrest
Gas Assisted Foot Section
Independently Braking Castors
Classic Base



NV9466-CLS

Electric Height Elevation
Gas Assisted Backrest
Gas Assisted Foot Section
Independently Braking Castors
Classic Base



NV9556-CLS

Hydraulic Height Elevation
Gas Assisted Backrest
Gas Assisted Foot Section
Retractable Castors
Classic Base



NV9566-CLS

Electric Height Elevation
Gas Assisted Backrest
Gas Assisted Foot Section
Retractable Castors
Classic Base



NV9656-CLS

Hydraulic Height Elevation
Gas Assisted Backrest
Gas Assisted Foot Section
Central Locking Castors
Classic Base



NV9666-CLS

Electric Height Elevation
Gas Assisted Backrest
Gas Assisted Foot Section
Central Locking Castors
Classic Base



NV9456-PRM

Hydraulic Height Elevation
Gas Assisted Backrest
Gas Assisted Foot Section
Independently Braking Castors
Premium Base



NV9466-PRM

Electric Height Elevation
Gas Assisted Backrest
Gas Assisted Foot Section
Independently Braking Castors
Premium Base



NV9556-PRM

Hydraulic Height Elevation
Gas Assisted Backrest
Gas Assisted Foot Section
Retractable Castors
Premium Base



NV9566-PRM

Electric Height Elevation
Gas Assisted Backrest
Gas Assisted Foot Section
Retractable Castors
Premium Base



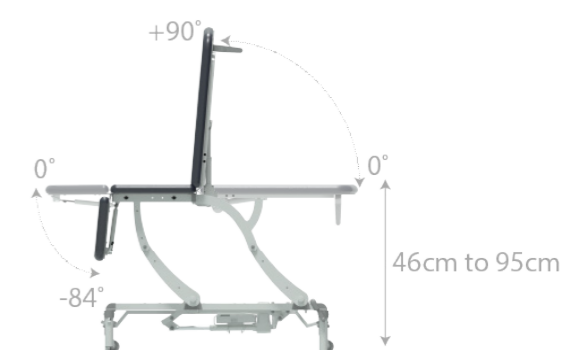
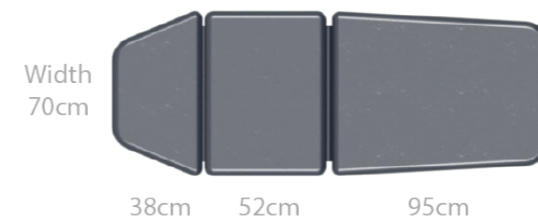
NV9656-PRM

Hydraulic Height Elevation
Gas Assisted Backrest
Gas Assisted Foot Section
Central Locking Castors
Premium Base



NV9666-PRM

Electric Height Elevation
Gas Assisted Backrest
Gas Assisted Foot Section
Central Locking Castors
Premium Base



CLINNOVA Ultra 2



The CLINNOVA Ultra 2 is designed for ultrasound, sonography and scanning procedures but is extremely versatile, so could be used for multiple disciplines. The couch includes fixing points for optional Lithotomy Stirrups or Adjustable Leg Supports.

Models

See Page 26-27 for available models



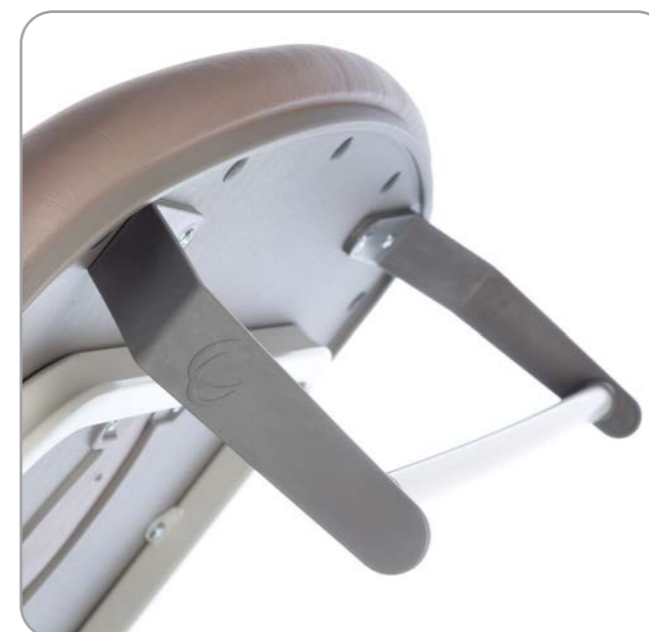
Model NV9576-PRM
Colour Pepper

Standard Features

- Strong & sturdy design, supporting & lifting patients up to a maximum weight of 265Kg (583lbs)
- Gas assisted drop end foot section, adjustable from 0° to -84°
- Gas assisted backrest section, adjustable from 0° to +90°
- Anti-trap gas assisted sections prevent risk of crushing and harm to patient, user or furniture
- Electric height elevation, raises from 46cm to 95cm in 15 seconds
- Variable height range or individual working heights
- Choice of independent, retractable or central locking castors
- Purpose-made precision bearings ensure quiet, reliable operation and increase product life expectancy
- Frame design enables use of mobile hoist
- Includes a hand switch as standard
- Laser cut fixing points to easily retrofit approved accessories
- Anti-microbial paint additive on framework prevents growth of bacteria, fungi and viruses
- 70cm wide Easy Clean Upholstery ideal for infection prevention
- Choice of 15 standard vinyl colours

Optional Accessories

- 6207** Double foot switch
- 6044** Lithotomy Stirrups
- 6045** Gynaecology Leg Supports
- 6006** Upper limb support
- 6007** Removable head/knee support
- 6057** Battery back-up facility
- 6054** Telescopic IV pole



Paper Roll Holder
Fitted as Standard



Model NV9676-CLS
Colour Sky Blue

CLINNOVA Ultra 2 - Models Available



NV9476-CLS

Electric Height Elevation
Electric Backrest
Gas Assisted Foot Section
Independently Braking Castors
Classic Base



NV9576-CLS

Electric Height Elevation
Electric Backrest
Gas Assisted Foot Section
Retractable Castors
Classic Base



NV9676-CLS

Electric Height Elevation
Electric Backrest
Gas Assisted Foot Section
Central Locking Castors
Classic Base



NV9476-PRM

Electric Height Elevation
Electric Backrest
Gas Assisted Foot Section
Independently Braking Castors
Premium Base



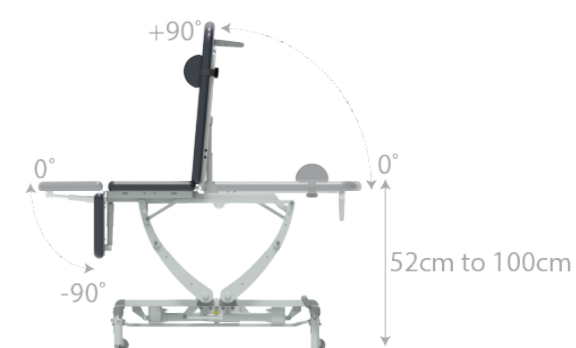
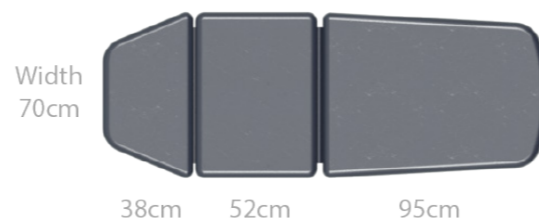
NV9576-PRM

Electric Height Elevation
Electric Backrest
Gas Assisted Foot Section
Retractable Castors
Premium Base



NV9676-PRM

Electric Height Elevation
Electric Backrest
Gas Assisted Foot Section
Central Locking Castors
Premium Base



CLINNOVA Ultra Pro



The CLINNOVA Ultra Pro is intelligently designed for ultrasound, sonography and scanning procedures, offering fully electric profiling of height, backrest, footrest and two-way Trendelenburg tilt. The couch also includes a CPR facility and digital display handset, with a safe working load of 285kg.

Models

See Page 30-31 for available models



Model NV9496-PRM
Colour Burgundy

Standard Features

- Strong & sturdy design, supporting & lifting patients up to a maximum weight of 285Kg (627lbs)
- Electric backrest, adjustable from 0° to +90°
- Electric foot section, adjustable from 0° to +90°
- Anti-trap gas assisted sections prevent risk of crushing and harm to patient, user or furniture
- Electric height elevation, raises from 52cm to 100cm in 15 seconds
- Variable height range of 46cm to 95cm for individual working heights
- Choice of independent, retractable or central locking castors
- Purpose-made precision bearings ensure quiet, reliable operation and increase product life expectancy
- Frame design enables use of mobile hoist
- Includes a hand switch as standard
- Laser cut fixing points to easily retrofit approved accessories
- Anti-microbial paint additive on framework prevents growth of bacteria, fungi and viruses
- 70cm wide Easy Clean Upholstery conceals all visible staples
- Choice of 15 standard vinyl colours

Optional Accessories

- 9210** 10 Button Foot Switch
- 6044** Lithotomy Stirrups
- 6045** Gynaecology Leg Supports
- 6006** Upper limb support
- 6007** Removable head/knee support
- 6057** Battery back-up facility
- 6054** Telescopic IV pole



Paper Roll Holder
Fitted as Standard



Model NV9596-CLS
Colour Cream

CLINNOVA Ultra Pro - Models Available



NV9496-CLS

Electric Height Elevation & Tilt
Electric Backrest
Electric Foot Section
Independently Braking Castors
Classic Base



NV9596-CLS

Electric Height Elevation & Tilt
Electric Backrest
Electric Foot Section
Retractable Castors
Classic Base



NV9696-CLS

Electric Height Elevation & Tilt
Electric Backrest
Electric Foot Section
Central Locking Castors
Classic Base



NV9496-PRM

Electric Height Elevation & Tilt
Electric Backrest
Electric Foot Section
Independently Braking Castors
Premium Base



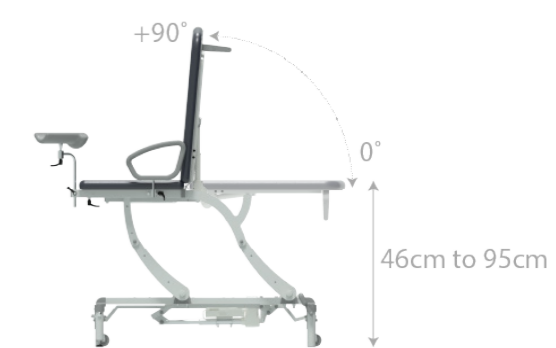
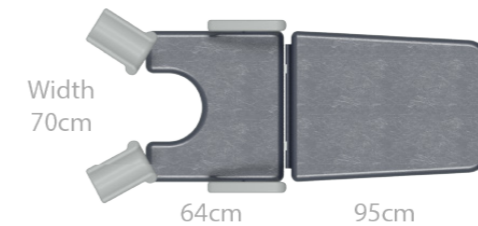
NV9596-PRM

Electric Height Elevation & Tilt
Electric Backrest
Electric Foot Section
Retractable Castors
Premium Base



NV9696-PRM

Electric Height Elevation & Tilt
Electric Backrest
Electric Foot Section
Central Locking Castors
Premium Base



CLINNOVA Gynae 1



The Gynae 1 is the entry-level option to the CLINNOVA Gynae Range. Supplied with a choice of wheel systems, hydraulic or electric height adjustment and classic or premium base, the Gynae 1 can be tailored for a range of specification and budget-driven requirements.

Models

See Page 34-35 for available models



Model NV9043
Removable Leg Extension



Model NV9042
Fold-Down Leg Extension



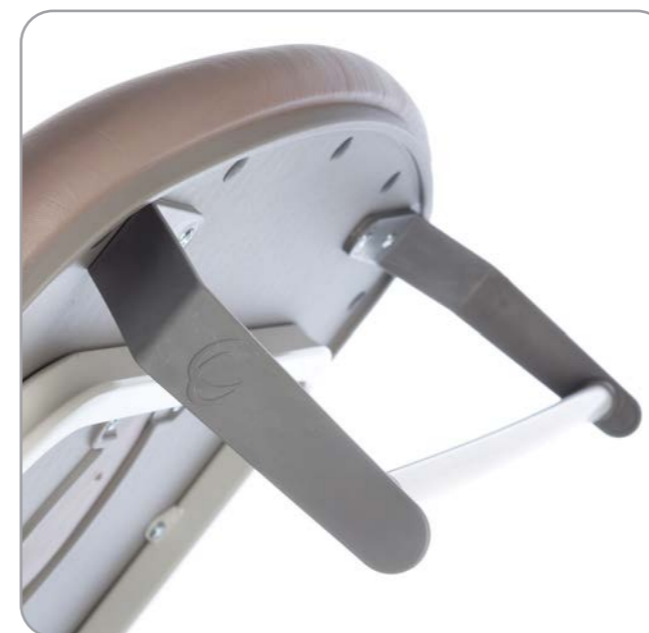
Model NV8463-CLS
Colour Light Grey

Standard Features

- Strong & sturdy design, supporting & lifting patients up to a maximum weight of 265Kg (583lbs)
- Gas assisted backrest, adjustable from 0° to +90°
- Anti-trap gas assisted backrest to prevent risk of crushing and harm to patient, user or furniture
- Hydraulic pump action or electric height elevation
- Variable height range of 46cm to 95cm for individual working heights
- Choice of independent, retractable or central locking castors
- Purpose-made precision bearings ensure quiet, reliable operation and increase product life expectancy
- Frame design enables use of mobile hoist
- Electric models include a hand switch as standard
- A pair of multi-adjustable leg supports and arm loops supplied as standard
- Seat section lifts for easy cleaning of framework
- Laser cut fixing points to easily retrofit approved accessories
- Anti-microbial paint additive on framework prevents growth of bacteria, fungi and viruses
- 70cm wide Easy Clean Upholstery conceals all visible staples
- Choice of 15 standard vinyl colours

Optional Accessories

- 6200** Single foot switch (electric only)
- 6007** Removable head/knee support
- 9043** Removable leg extension
- 9042** Fold-down leg extension
- 6057** Battery back-up facility
- 6054** Telescopic IV pole



Paper Roll Holder
Fitted as Standard



Model NV8553-PRM
Colour Dark Blue

CLINNOVA Gynae 1 - Models Available



NV8453-CLS

Hydraulic Height Elevation
Gas Assisted Backrest
Independently Braking Castors
Classic Base



NV8463-CLS

Electric Height Elevation
Gas Assisted Backrest
Independently Braking Castors
Classic Base



NV8553-CLS

Hydraulic Height Elevation
Gas Assisted Backrest
Retractable Castors
Classic Base



NV8563-CLS

Electric Height Elevation
Gas Assisted Backrest
Retractable Castors
Classic Base



NV8653-CLS

Hydraulic Height Elevation
Gas Assisted Backrest
Central Locking Castors
Classic Base



NV8663-CLS

Electric Height Elevation
Gas Assisted Backrest
Central Locking Castors
Classic Base



NV8453-PRM

Hydraulic Height Elevation
Gas Assisted Backrest
Independently Braking Castors
Premium Base



NV8463-PRM

Electric Height Elevation
Gas Assisted Backrest
Independently Braking Castors
Premium Base



NV8553-PRM

Hydraulic Height Elevation
Gas Assisted Backrest
Retractable Castors
Premium Base



NV8563-PRM

Electric Height Elevation
Gas Assisted Backrest
Retractable Castors
Premium Base



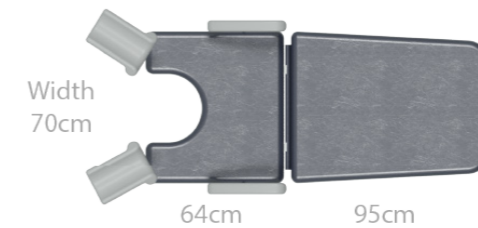
NV8653-PRM

Hydraulic Height Elevation
Gas Assisted Backrest
Central Locking Castors
Premium Base



NV8663-PRM

Electric Height Elevation
Gas Assisted Backrest
Central Locking Castors
Premium Base



CLINNOVA Gynae 2



The CLINNOVA Gynae 2 is supplied with Side Support Loops, fully adjustable Leg Supports and a crescent shaped seat design for colposcopy & gynaecology procedures. Supplied with a choice of wheel systems, with a classic or premium base.

Models

See Page 38-39 for available models



Model NV9043
Removable Leg Extension



Model NV9042
Fold-Down Leg Extension



Model NV8573-PRM
Colour Lotus Green

Standard Features

- Strong & sturdy design, supporting & lifting patients up to a maximum weight of 265Kg (583lbs)
- Electric backrest, adjustable from 0° to +90°
- Electric height elevation, raises from low to high in 15 seconds
- Variable height range of 46cm to 95cm for individual working heights
- Choice of independent, retractable or central locking castors
- Purpose-made precision bearings ensure quiet, reliable operation and increase product life expectancy
- Frame design enables use of mobile hoist
- Includes a hand switch as standard
- A pair of multi-adjustable leg supports and arm loops supplied as standard
- Seat section lifts for easy cleaning of framework
- Laser cut fixing points to easily retrofit approved accessories
- Anti-microbial paint additive on framework prevents growth of bacteria, fungi and viruses
- 70cm wide Easy Clean Upholstery conceals all visible staples
- Choice of 15 standard vinyl colours

Optional Accessories

- 6207** Double foot switch
- 6007** Removable head/knee support
- 9043** Removable leg extension
- 9042** Fold-down leg extension
- 6057** Battery back-up facility
- 6054** Telescopic IV pole



Paper Roll Holder
Fitted as Standard



Model NV8673-CLS
Colour Black

CLINNOVA Gynae 2 - Models Available



NV8473-CLS

Electric Height Elevation
Electric Backrest
Independently Braking Castors
Classic Base



NV8573-CLS

Electric Height Elevation
Electric Backrest
Retractable Castors
Classic Base



NV8673-CLS

Electric Height Elevation
Electric Backrest
Central Locking Castors
Classic Base



NV8473-PRM

Electric Height Elevation
Electric Backrest
Independently Braking Castors
Premium Base



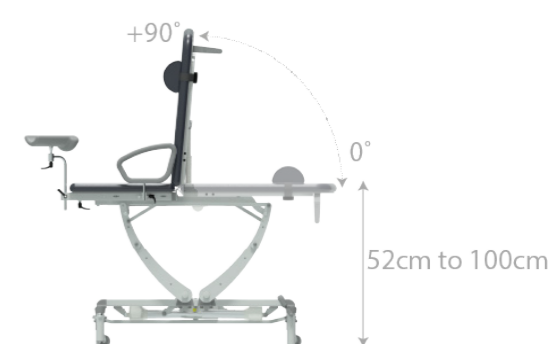
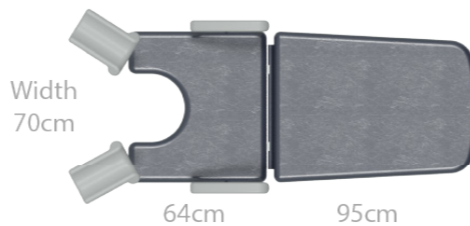
NV8573-PRM

Electric Height Elevation
Electric Backrest
Retractable Castors
Premium Base



NV8673-PRM

Electric Height Elevation
Electric Backrest
Central Locking Castors
Premium Base



CLINNOVA Gynae Pro



The CLINNOVA Gynae Pro is intelligently designed for colposcopy & gynaecology procedures, offering fully electric profiling of height, backrest and two-way Trendelenburg tilt. The couch also includes a CPR facility and digital display handset, with safe working load of 285kg.

Models

See Page 42-43 for available models



Model NV9043
Removable Leg Extension



Model NV9042
Fold-Down Leg Extension



Model NV8583-PRM
Colour Canard

Standard Features

- Strong & sturdy design, supporting & lifting patients up to a maximum weight of 285Kg (627lbs)
- Electric backrest, adjustable from 0° to +90°
- Electric height elevation, raises from 52cm to 100cm in 15 seconds
- Electric trendelenburg and reverse trendelenburg
- Variable height range of 46cm to 95cm for individual working heights
- Choice of independent, retractable or central locking castors
- Purpose-made precision bearings ensure quiet, reliable operation and increase product life expectancy
- Frame design enables use of mobile hoist
- Includes a digital display handset as standard
- A pair of multi-adjustable leg supports and arm loops supplied as standard
- Seat section lifts for easy cleaning of framework
- Laser cut fixing points to easily retrofit approved accessories
- Anti-microbial paint additive on framework prevents growth of bacteria, fungi and viruses
- 70cm wide Easy Clean Upholstery conceals all visible staples
- Choice of 15 standard vinyl colours

Optional Accessories

- 9210** 10 Button Foot Switch
- 9043** Removable leg extension
- 9042** Fold-down leg extension
- 6057** Battery back-up facility
- 6054** Telescopic IV pole



Paper Roll Holder
Fitted as Standard



Model NV8483-CLS
Colour Olive

CLINNOVA Gynae Pro - Models Available



NV8483-CLS

Electric Height Elevation & Tilt
Electric Head Section
Independently Braking Castors
Classic Base



NV8583-CLS

Electric Height Elevation & Tilt
Electric Head Section
Retractable Castors
Classic Base



NV8683-CLS

Electric Height Elevation & Tilt
Electric Head Section
Central Locking Castors
Classic Base



NV8483-PRM

Electric Height Elevation & Tilt
Electric Head Section
Independently Braking Castors
Premium Base



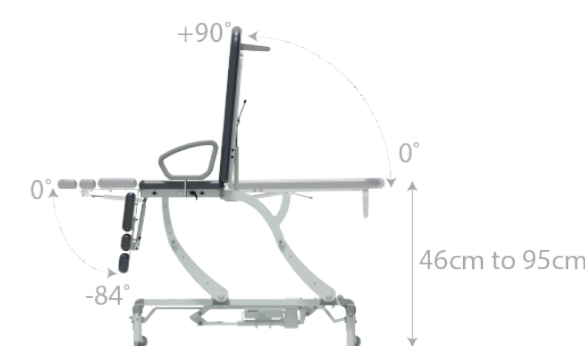
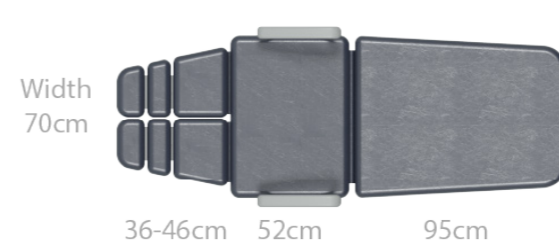
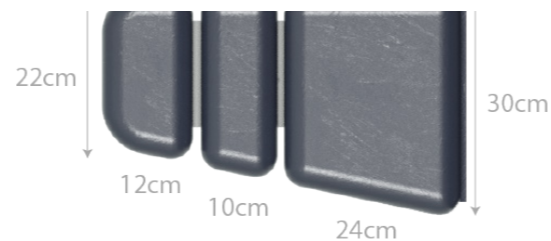
NV8583-PRM

Electric Height Elevation & Tilt
Electric Head Section
Retractable Castors
Premium Base



NV8683-PRM

Electric Height Elevation & Tilt
Electric Head Section
Central Locking Castors
Premium Base



CLINNOVA Versa 1



The Versa 1 is the entry-level option to the CLINNOVA Versa Range. Supplied with a choice of wheel systems, hydraulic or electric height adjustment and classic or premium base, the Versa 1 can be tailored for a range of specification and budget-driven requirements.

Models

See Page 46-47 for available models



Model NV0465-PRM
Colour Dark Grey

Standard Features

- Strong & sturdy design, supporting & lifting patients up to a maximum weight of 265Kg (583lbs)
- Gas assisted head section, adjustable from -0° to +90°
- Gas assisted foot section, adjustable from 0° to -84°
- Anti-trap gas assisted sections prevent risk of crushing and harm to patient, user or furniture
- Hydraulic pump action or electric height elevation
- Variable height range of 46cm to 95cm for individual working heights
- Choice of Retractable, independent or central locking castors
- A pair of side support loops supplied as standard for patient security
- Purpose-made precision bearings ensure quiet, reliable operation and increase product life expectancy
- Frame design enables use of mobile hoist
- Electric models include a hand switch as standard
- Laser cut fixing points to easily retrofit approved accessories
- Anti-microbial paint additive on framework prevents growth of bacteria, fungi and viruses
- 70cm wide Easy Clean Upholstery conceals all visible staples
- Choice of 15 standard vinyl colours

Optional Accessories

- 6004** Breathing hole and plug
- 6200** Single foot switch (electric only)
- 6006** Upper limb support
- 6044** Lithotomy Stirrups
- 6045** Gynaecology leg supports
- 6007** Removable head/knee support
- 6057** Battery back-up facility (electric only)
- 6054** Telescopic IV pole



Paper Roll Holder
Fitted as Standard



Model NV0565-CLS
Colour Red

CLINNOVA Versa 1 - Models Available



NV0455-CLS

Hydraulic Height Elevation
Gas Assisted Backrest
Gas Assisted Foot Section
Independently Braking Castors
Classic Base



NV0465-CLS

Electric Height Elevation
Gas Assisted Backrest
Gas Assisted Foot Section
Independently Braking Castors
Classic Base



NV0555-CLS

Hydraulic Height Elevation
Gas Assisted Backrest
Gas Assisted Foot Section
Retractable Castors
Classic Base



NV0565-CLS

Electric Height Elevation
Gas Assisted Backrest
Gas Assisted Foot Section
Retractable Castors
Classic Base



NV0655-CLS

Hydraulic Height Elevation
Gas Assisted Backrest
Gas Assisted Foot Section
Central Locking Castors
Classic Base



NV0665-CLS

Electric Height Elevation
Gas Assisted Backrest
Gas Assisted Foot Section
Central Locking Castors
Classic Base



NV0455-PRM

Hydraulic Height Elevation
Gas Assisted Backrest
Gas Assisted Foot Section
Independently Braking Castors
Premium Base



NV0465-PRM

Electric Height Elevation
Gas Assisted Backrest
Gas Assisted Foot Section
Independently Braking Castors
Premium Base



NV0555-PRM

Hydraulic Height Elevation
Gas Assisted Backrest
Gas Assisted Foot Section
Retractable Castors
Premium Base



NV0565-PRM

Electric Height Elevation
Gas Assisted Backrest
Gas Assisted Foot Section
Retractable Castors
Premium Base



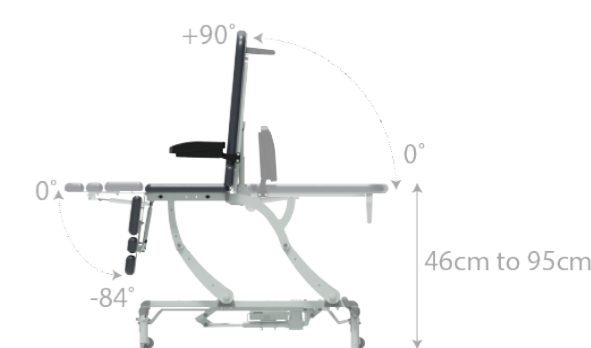
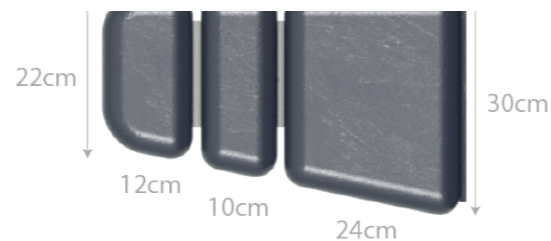
NV0655-PRM

Hydraulic Height Elevation
Gas Assisted Backrest
Gas Assisted Foot Section
Central Locking Castors
Premium Base



NV0665-PRM

Electric Height Elevation
Gas Assisted Backrest
Gas Assisted Foot Section
Central Locking Castors
Premium Base



CLINNOVA Versa 2

The CLINNOVA Versa 2 is designed for podiatry, chiropody & lower limb procedures. The individually adjustable footrests can be extended to accommodate for taller patients. A pair of fold-down armrests are fitted for patient security and comfort.



Models

See Page 50-51 for available models



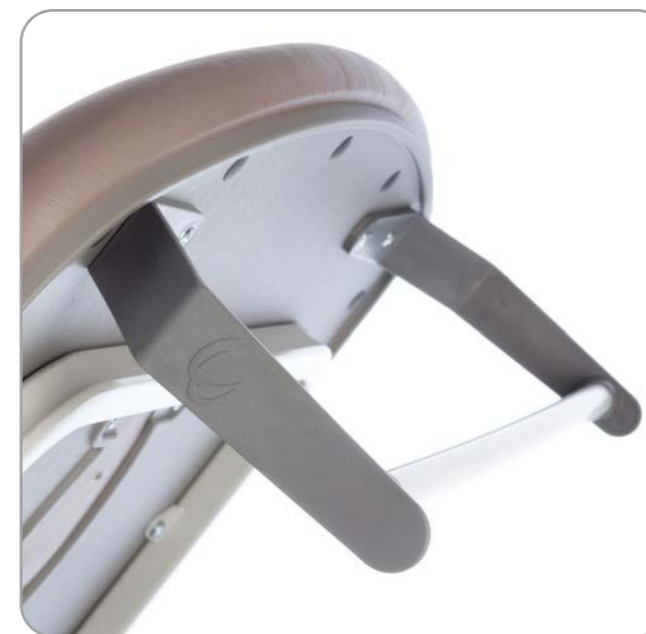
Model NV0575-PRM
Colour Poterie

Standard Features

- Strong & sturdy design, supporting & lifting patients up to a maximum weight of 265Kg (583lbs)
- Gas assisted head section, adjustable from -0° to +90°
- Gas assisted foot section, adjustable from 0° to -84°
- Anti-trap gas assisted sections prevent risk of crushing and harm to patient, user or furniture
- Electric height elevation, raises from 46cm to 95cm in 15 seconds
- Variable height range of 46cm to 95cm for individual working heights
- Choice of Retractable, independent or central locking castors
- A pair of side support loops supplied as standard for patient security
- Purpose-made precision bearings ensure quiet, reliable operation and increase product life expectancy
- Frame design enables use of mobile hoist
- Electric models include a hand switch as standard
- Laser cut fixing points to easily retrofit approved accessories
- Anti-microbial paint additive on framework prevents growth of bacteria, fungi and viruses
- 70cm wide Easy Clean Upholstery conceals all visible staples
- Choice of 15 standard vinyl colours

Optional Accessories

- 6004** Breathing hole and plug
- 6207** Double foot switch
- 6006** Upper limb support
- 6041** Side support loops
- 6044** Lithotomy Stirrups
- 6045** Gynaecology Leg supports
- 6007** Removable head/knee support
- 6057** Battery back-up facility
- 6054** Telescopic IV pole



Paper Roll Holder
Fitted as Standard



Model NV0675-CLS
Colour Light Grey

CLINNOVA Versa 2 - Models Available



NV0475-CLS

Electric Height Elevation
Electric Head Section
Gas Assisted Foot Section
Independently Braking Castors
Classic Base



NV0575-CLS

Electric Height Elevation
Electric Head Section
Gas Assisted Foot Section
Retractable Castors
Classic Base



NV0675-CLS

Electric Height Elevation
Electric Head Section
Gas Assisted Foot Section
Central Locking Castors
Classic Base



NV0475-PRM

Electric Height Elevation
Electric Head Section
Gas Assisted Foot Section
Independently Braking Castors
Premium Base



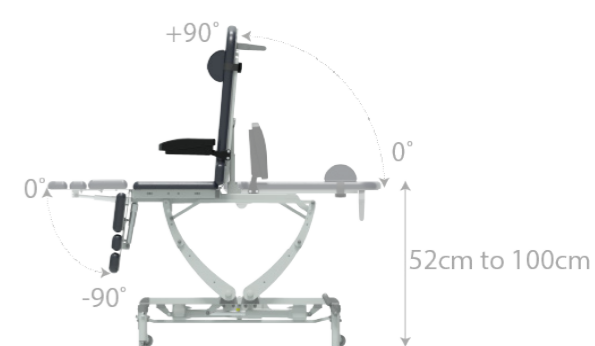
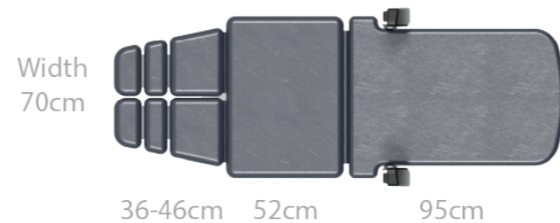
NV0575-PRM

Electric Height Elevation
Electric Head Section
Gas Assisted Foot Section
Retractable Castors
Premium Base



NV0675-PRM

Electric Height Elevation
Electric Head Section
Gas Assisted Foot Section
Central Locking Castors
Premium Base



CLINNOVA Versa Pro

Incorporating both an adjustable angle backrest with patient armrests and dual adjustable footrests, these models are suitable for a wide range of seated examination procedures such as podiatry, leg ulcer clinics, orthopaedic casting (plaster room), as well as being ideal for GP surgeries and health centres.

Models

See Page 54-55 for available models



Standard Features

- Strong & sturdy design, supporting & lifting patients up to a maximum weight of 285Kg (627lbs)
- Electric height adjustment of 53cm to 99cm, in only 15 seconds
- Electric backrest, adjustable from 0° to +90°
- Electric foot sections, adjustable from 0° to -90°
- Foot sections include anti-trap design to prevent risk of crushing
- Fold-down armrests, head support cushion and paper roll holder included as standard
- Choice of 75mm retractable wheels, 125mm independent castors or 125mm central locking castors
- Purpose-made precision bearings ensure quiet, reliable operation and increase product life expectancy
- Frame design enables use of mobile hoist
- Electric models include a digital display handset as standard
- Laser cut fixing points to easily retrofit approved accessories
- Anti-microbial paint additive on framework prevents growth of bacteria, fungi and viruses
- 70cm wide Easy Clean Upholstery conceals all visible staples
- Choice of 15 standard vinyl colours

Optional Accessories

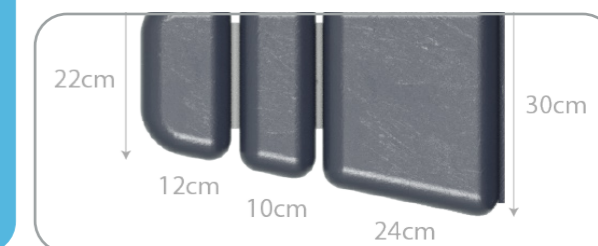
- 6004** Breathing hole and plug
- 6006** Upper Limb Support
- 6044** Lithotomy Stirrups
- 6045** Gynaecology Leg Supports
- 9212** 6 Way Foot Switch
- 6057** Battery back-up facility
- 6054** Telescopic IV pole



Model NV0495-PRM
Colour Sky Blue



Individually adjustable electric footrests
with in-fill section for taller patients



Model NV0595-CLS
Colour Dark Blue



CLINNOVA Versa Pro - Models Available



NV0495-CLS

Electric Height Elevation
Electric Backrest
Electric Footrests
Electric Tilt
Independently Braking Castors
Classic Base



NV0595-CLS

Electric Height Elevation
Electric Backrest
Electric Footrests
Electric Tilt
Linked Retractable Castors
Classic Base



NV0695-CLS

Electric Height Elevation
Electric Backrest
Electric Footrests
Electric Tilt
Central Locking Castors
Classic Base



NV0495-PRM

Electric Height Elevation
Electric Backrest
Electric Footrests
Electric Tilt
Independently Braking Castors
Premium Base



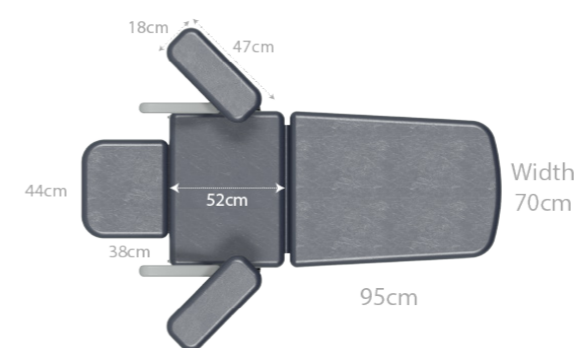
NV0595-PRM

Electric Height Elevation
Electric Backrest
Electric Footrests
Electric Tilt
Linked Retractable Castors
Premium Base



NV0695-PRM

Electric Height Elevation
Electric Backrest
Electric Footrests
Electric Tilt
Central Locking Castors
Premium Base



CLINNOVA Phlebotomy 1



The Phlebotomy 1 is the entry-level option to the CLINNOVA Phlebotomy Range. Supplied with a choice of wheel systems, hydraulic or electric height adjustment and classic or premium base, the Phlebotomy 1 can be tailored for a range of specification and budget-driven requirements.

Models

See Page 58-59 for available models



Model NV9666P-PRM
Colour Canard

Standard Features

- Strong & sturdy design, supporting & lifting patients up to a maximum weight of 265Kg (583lbs)
- Gas assisted head and foot sections
- Anti-trap gas assisted sections prevent risk of crushing and harm to patient, user or furniture
- Hydraulic pump action or electric height elevation
- Variable height range of 46cm to 95cm for individual working heights
- Choice of Retractable, independent or central locking castors
- Purpose-made precision bearings ensure quiet, reliable operation and increase product life expectancy
- Frame design enables use of mobile hoist
- Electric models include a hand switch as standard
- Supplied with a pair of multi-adjustable armrest and arm loops
- Laser cut fixing points to easily retrofit approved accessories
- Anti-microbial paint additive on framework prevents growth of bacteria, fungi and viruses
- 70cm wide Easy Clean Upholstery conceals all visible staples
- Choice of 15 standard vinyl colours

Optional Accessories

- 6200** Single foot switch
- 6007** Removable head/knee support
- 6057** Battery back-up facility
- 6054** Telescopic IV pole



Paper Roll Holder
Fitted as Standard



Model NV9566P-CLS
Colour Dark Grey

CLINNOVA Phlebotomy 1 - Models Available



NV9456P-CLS

Hydraulic Height Elevation
Gas Assisted Backrest
Gas Assisted Foot Section
Independently Braking Castors
Classic Base



NV9466P-CLS

Electric Height Elevation
Gas Assisted Backrest
Gas Assisted Foot Section
Independently Braking Castors
Classic Base



NV9556P-CLS

Hydraulic Height Elevation
Gas Assisted Backrest
Gas Assisted Foot Section
Retractable Castors
Classic Base



NV9566P-CLS

Electric Height Elevation
Gas Assisted Backrest
Gas Assisted Foot Section
Retractable Castors
Classic Base



NV9656P-CLS

Hydraulic Height Elevation
Gas Assisted Backrest
Gas Assisted Foot Section
Central Locking Castors
Classic Base



NV9666P-CLS

Electric Height Elevation
Gas Assisted Backrest
Gas Assisted Foot Section
Central Locking Castors
Classic Base



NV9456P-PRM

Hydraulic Height Elevation
Gas Assisted Backrest
Gas Assisted Foot Section
Independently Braking Castors
Premium Base



NV9466P-PRM

Electric Height Elevation
Gas Assisted Backrest
Gas Assisted Foot Section
Independently Braking Castors
Premium Base



NV9556P-PRM

Hydraulic Height Elevation
Gas Assisted Backrest
Gas Assisted Foot Section
Retractable Castors
Premium Base



NV9566P-PRM

Electric Height Elevation
Gas Assisted Backrest
Gas Assisted Foot Section
Retractable Castors
Premium Base



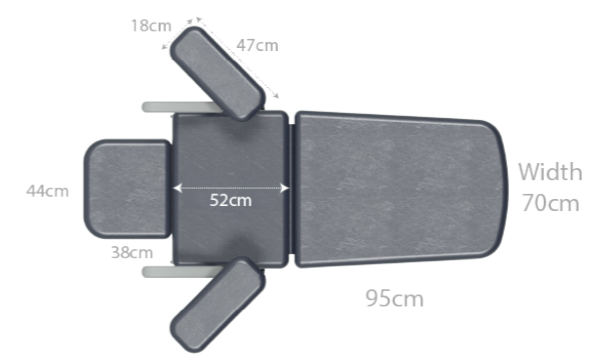
NV9656P-PRM

Hydraulic Height Elevation
Gas Assisted Backrest
Gas Assisted Foot Section
Central Locking Castors
Premium Base



NV9666P-PRM

Electric Height Elevation
Gas Assisted Backrest
Gas Assisted Foot Section
Central Locking Castors
Premium Base



CLINNOVA Phlebotomy 2



The CLINNOVA Phlebotomy 2 is designed for blood sampling procedures, so is fitted with side loops and adjustable upper limb supports to assist with patient positioning and security. The seat section is slightly inclined to encourage the patient to sit back into the chair for additional safety in the event of fainting.

Models

See Page 62-63 for available models



Model NV9576P-CLS
Colour Sky Blue

Standard Features

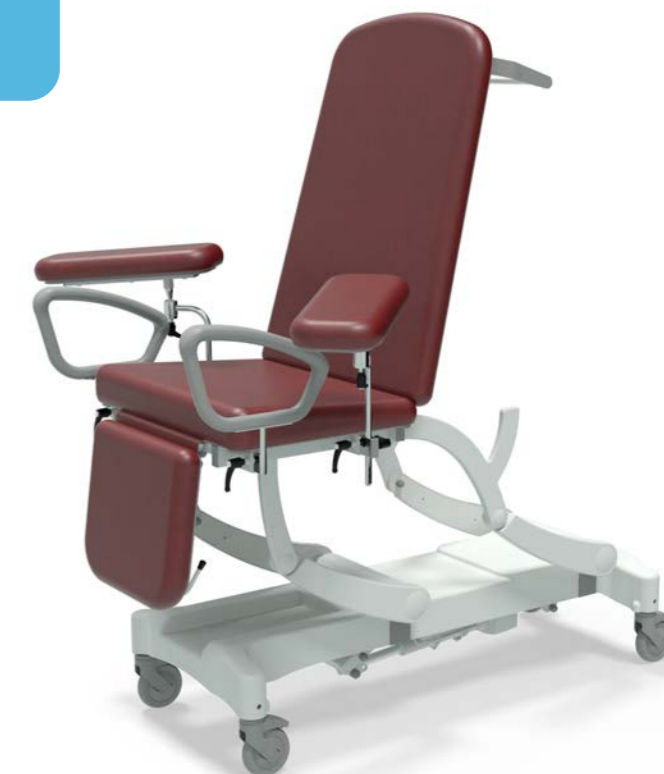
- Strong & sturdy design, supporting & lifting patients up to a maximum weight of 265Kg (583lbs)
- Electric backrest section, gas assisted foot section
- Anti-trap gas assisted sections prevent risk of crushing and harm to patient, user or furniture
- Electric height elevation, raises from low to high in 15 seconds
- Variable height range of 46cm to 95cm for individual working heights
- Choice of Retractable, independent or central locking castors
- Purpose-made precision bearings ensure quiet, reliable operation and increase product life expectancy
- Frame design enables use of mobile hoist
- Includes a hand switch as standard
- Supplied with a pair of multi-adjustable armrest and arm loops
- Laser cut fixing points to easily retrofit approved accessories
- Anti-microbial paint additive on framework prevents growth of bacteria, fungi and viruses
- 70cm wide Easy Clean Upholstery conceals all visible staples
- Choice of 15 standard vinyl colours

Optional Accessories

- 6207** Double foot switch
- 6007** Removable head/knee support
- 6057** Battery back-up facility
- 6054** Telescopic IV pole



Paper Roll Holder
Fitted as Standard



Model NV9476P-PRM
Colour Burgundy

CLINNOVA Phlebotomy 2 - Models Available



NV9476P-CLS

Electric Height Elevation
Electric Backrest
Gas Assisted Foot Section
Independently Braking Castors
Classic Base



NV9576P-CLS

Electric Height Elevation
Electric Backrest
Gas Assisted Foot Section
Retractable Castors
Classic Base



NV9676P-CLS

Electric Height Elevation
Electric Backrest
Gas Assisted Foot Section
Central Locking Castors
Classic Base



NV9476P-PRM

Electric Height Elevation
Electric Backrest
Gas Assisted Foot Section
Independently Braking Castors
Premium Base



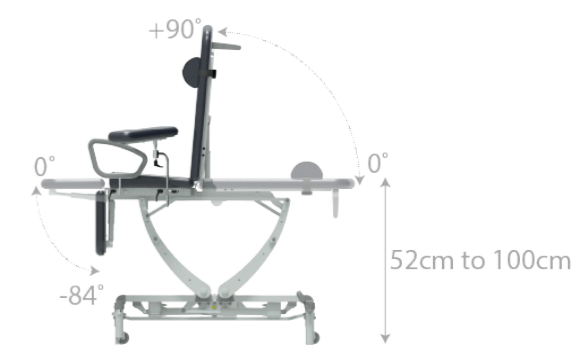
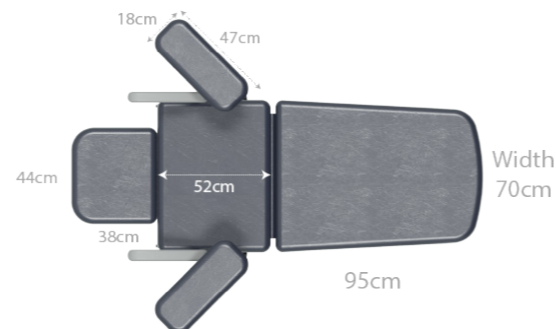
NV9576P-PRM

Electric Height Elevation
Electric Backrest
Gas Assisted Foot Section
Retractable Castors
Premium Base



NV9676P-PRM

Electric Height Elevation
Electric Backrest
Gas Assisted Foot Section
Central Locking Castors
Premium Base



CLINNOVA Phlebotomy Pro



The CLINNOVA Phlebotomy Pro is intelligently designed for blood sampling procedures, so is fitted with side loops and adjustable upper limb supports to assist with patient positioning and security. The seat section is slightly inclined to encourage the patient to sit back into the chair for additional safety in the event of fainting. Fully electric profiling of height, backrest, footrest and two-way Trendelenburg tilt. The couch also includes a CPR facility and digital display handset, with safe working load of 285kg.

Models

See Page 66-67 for available models



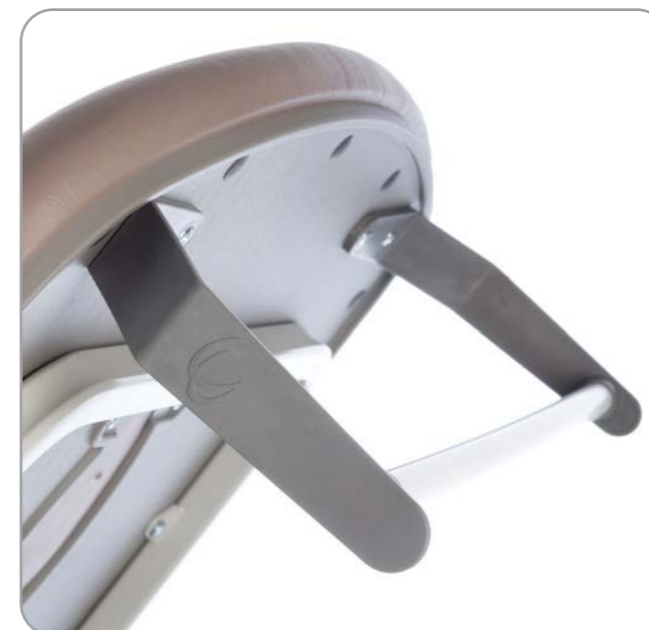
Model NV9696P-PRM
Colour Olive

Standard Features

- Strong & sturdy design, supporting & lifting patients up to a maximum weight of 285Kg (627lbs)
- Fully electric profiling of height, backrest and footrest
- Electric trendelenburg and reverse trendelenburg
- Raises from lowest to highest height in 15 seconds
- Variable height range of 52cm to 100cm to suit individual working heights
- Choice of retractable, independent or central locking castors
- Purpose-made precision bearings ensure quiet, reliable operation and increase product life expectancy
- Frame design enables use of mobile hoist
- Includes a digital display handset as standard
- Supplied with a pair of multi-adjustable armrest and arm loops
- Laser cut fixing points to easily retrofit approved accessories
- Anti-microbial paint additive on framework prevents growth of bacteria, fungi and viruses
- 70cm wide Easy Clean Upholstery conceals all visible staples
- Choice of 15 standard vinyl colours

Optional Accessories

- 6004** Breathing hole and plug
- 9210** 10 Button Foot Switch
- 6057** Battery back-up facility
- 6054** Telescopic IV pole



Paper Roll Holder
Fitted as Standard



Model NV9596P-CLS
Colour Light Grey

CLINNOVA Phlebotomy Pro - Models Available



NV9496P-CLS

Electric Height Elevation & Tilt
Electric Head Section
Electric Foot Section
Independently Braking Castors
Classic Base



NV9596P-CLS

Electric Height Elevation & Tilt
Electric Head Section
Electric Foot Section
Retractable Castors
Classic Base



NV9696P-CLS

Electric Height Elevation & Tilt
Electric Head Section
Electric Foot Section
Central Locking Castors
Classic Base



NV9496P-PRM

Electric Height Elevation & Tilt
Electric Head Section
Electric Foot Section
Independently Braking Castors
Premium Base



NV9596P-PRM

Electric Height Elevation & Tilt
Electric Head Section
Electric Foot Section
Retractable Castors
Premium Base



NV9696P-PRM

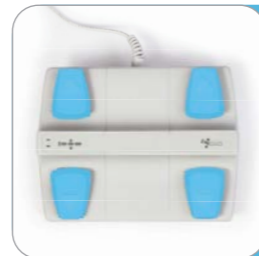
Electric Height Elevation & Tilt
Electric Head Section
Electric Foot Section
Central Locking Castors
Premium Base

Optional Accessories



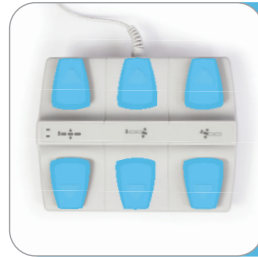
6200

Single foot switch option (alternative to standard single hand switch).



6207

Double foot switch option (alternative to standard double hand switch).



6209

Triple foot switch option (alternative to standard triple hand switch).



6001

The perimeter foot switch is a "hands free" foot operated system for height adjustment. Medicare 2 & 3 sections only.



6057

Battery back-up available for most electric operated models.



6052 & 6053

An easy to clean protective base frame cover that conceals the moving parts of the framework.



6002 & 6003

Fold-down side support rails for 2 & 3 section couches, providing patient support and security.



6002P & 6003P

Upholstered cushions can be added to the side support rails for additional comfort, support and protection.

If you have any queries on any of the optional accessories listed above please contact us for further details. Please note some of the accessories are supplied as standard with specific couches so please ensure you check before purchasing your chosen product as all other options come at an additional cost.



6041

Side support loops provide patient support and security and are easily removable.



6054

Telescopic IV pole has fixing points on both sides of the couch and is easily adjusted to the required height.



6005

The paper roll holder provides a protective barrier between the patient and the upholstered surface.



6004

Breathing hole & plug for improved patient comfort for prone treatments.



6007

The head support cushion is easily attached to the couch and can also be used as a support for lower limbs.



6006

The upper limb support has multi-angular adjustment and can be fitted to either side of the couch.



5008

The knee roll support set is an ideal accessory for supporting limbs during medical procedures.



6020

A light weight free-standing adjustable leg support for lower limb procedures. Supplied with carrying case.



6044

Traditional lithotomy stirrups for gynaecology procedures.



6045

Leg supports for gynaecology procedures. Fully adjustable for patient comfort and security.

Chairs & Stools



MC6158
Surgeons / Sonographers chair, standard model. Height range of 45-59cm. Polished aluminium gas strut, five star base and castors.



6100
Standard operators chair with 2 lever operation for height and backrest angle. Height range of 48-60cm. Black five star base and castors.



6103
Standard operators stool with all round release lever for height adjustment with range of 48-60cm. Black five star base and castors.



6144
Economy saddle stool with single lever height adjustment with a range of 48-60cm. Black five star base and castors.



MC6178
Round general medical chair, standard model. Height range of 45-59cm. Polished aluminium gas strut, five star base and castors.



6101
High operators chair with 2 lever operation for height and backrest angle. Height range of 53-73cm. Adjustable foot support ring. Black five star base and glides.



6104
High operators stool with all round release lever for height adjustment with range of 53-73cm. Adjustable foot support ring. Black five star base and glides.



MC6107
Deluxe saddle chair with 2 lever operation for height and seat tilt facility. Height range of 54-71cm. Polished aluminium five star base and castors.

Note¹: See Medical Seating brochure for more options.

Standard Colour Range

A very hard wearing vinyl that will retain its performance for many years. Abrasion Resistance to 150,000 cycles.



Other colours are available on request

Please Note: The illustrated vinyl colours may vary slightly from actual vinyl supplied. This occurs due to the four colour printing process. However every attempt has been made to make them as accurate as possible.